

# Technical data sheet

## Profile earth rod connection with round conductor lug

Item number: 5003776



- With 2 m round conductor lugs Rd 10
- For the construction of earthing systems, e.g. antenna or earthing of building site distribution boards

- St** Steel
- FT** Hot-dip galvanised

### Master data

Item number	5003776
Type	213 1500 F
Description 1	Cross profiled earth rod
Description 2	with round conductor lug
Manufacturer	OBO
Dimension	1500mm
Material	Steel
Surface	Hot-dip galvanised
Surface standard	DIN EN ISO 1461
Smallest sales unit	1
Unit of quantity	Piece
Weight	486.9 kg
Weight unit	kg/100 pc.

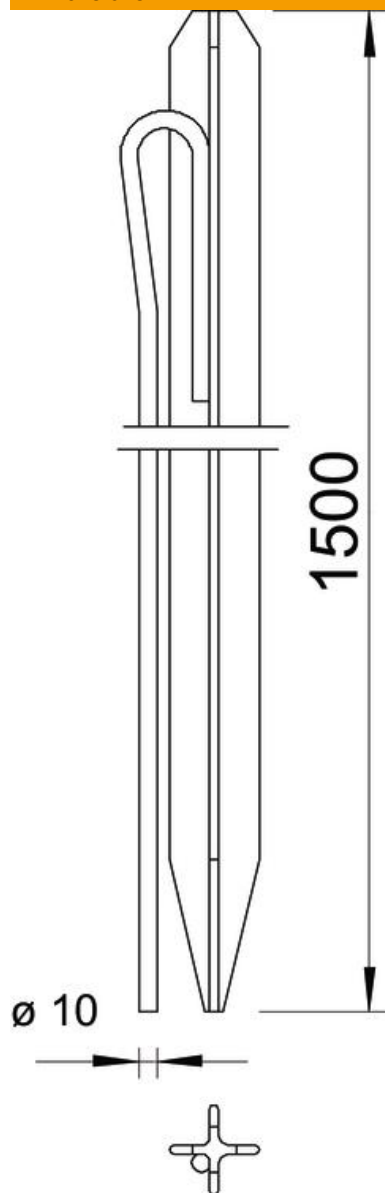
# Technical data sheet

## Profile earth rod connection with round conductor lug

Item number: 5003776



### Dimensions



Length	1,500 mm
Dimension L	1,500 mm

### Technical data

Version for	With round conductor lug
Profile type	Cross
Connection type	Miscellaneous