

# Technical data sheet

## Suspension eyelet

Item number: 3464083



M8 suspension lug



CE

- Zn** Die-cast zinc
- G** Electrogalvanized

### Master data

Item number	3464083
Type	2085 M8 G
Description 1	Suspension lugs
Manufacturer	OBO
Dimension	M8
Material	Die-cast zinc
Surface	Electrogalvanized
Surface standard	EN ISO 19598 / EN ISO 4042
Smallest sales unit	50
Unit of quantity	Piece
Weight	3.7 kg
Weight unit	kg/100 pc.

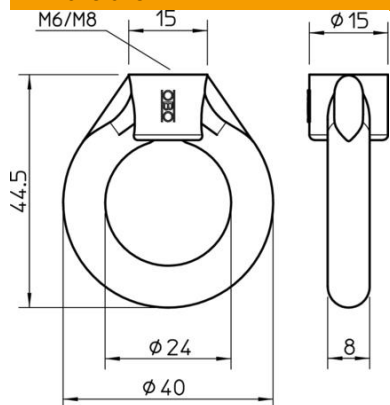
# Technical data sheet

## Suspension eyelet

Item number: 3464083



### Dimensions



Dimension b	8 mm
Dimension BØ	15 mm
Dimension D	40 mm
Dimension d Ø	24 mm
Dimension L	44.5 mm

### Technical data

Breaking load	1.1 kN
Thread metric	8