

Technical data sheet

Double trough, metal A2

Item number: 1196599



Metallic double trough as intermediate layer between two or three cables within a clamp clip.



A2 Stainless steel

2B Bright, treated

Master data

Item number	1196599
Type	2058 M2 28 A2
Description 1	Double trough
Manufacturer	OBO
Dimension	22-28mm
Material	Stainless steel
Surface	Bright, treated
Surface standard	
Smallest sales unit	50
Unit of quantity	Piece
Weight	3.1 kg
Weight unit	kg/100 pc.

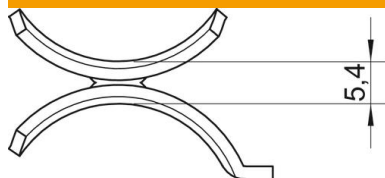
Technical data sheet

Double trough, metal A2

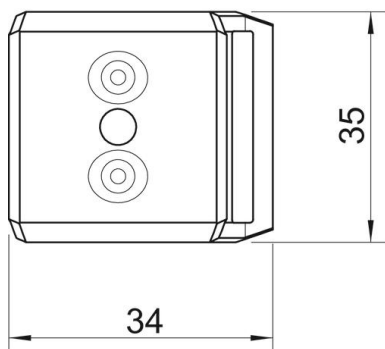
Item number: 1196599



Dimensions



Dimension B	34 mm
Dimension H	5.4 mm
Dimension L	35 mm



Technical data

Counter-trough/clip version	Double trough
Suitable for max. cable diameter	28 mm
Clamping range D, max.	28 mm
Clamping range D, min.	22 mm