

# Technical data sheet

## Double trough, metal A2

Item number: 1196597



Metallic double trough as intermediate layer between two or three cables within a clamp clip.



**A2** Stainless steel

**2B** Bright, treated

### Master data

Item number	1196597
Type	2058 M2 22 A2
Description 1	Double trough
Manufacturer	OBO
Dimension	16-22mm
Material	Stainless steel
Surface	Bright, treated
Surface standard	
Smallest sales unit	50
Unit of quantity	Piece
Weight	2.3 kg
Weight unit	kg/100 pc.

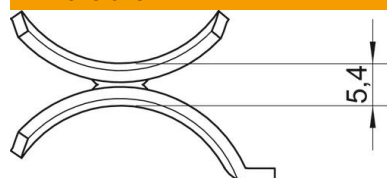
# Technical data sheet

## Double trough, metal A2

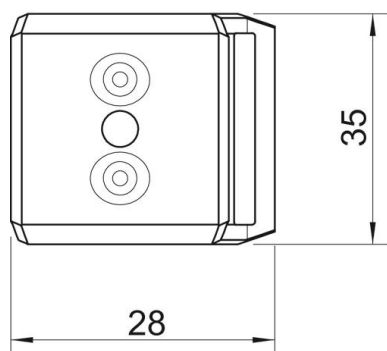
Item number: 1196597



### Dimensions



Dimension B	28 mm
Dimension H	5.4 mm
Dimension L	35 mm



### Technical data

Counter-trough/clip version	Double trough
Suitable for max. cable diameter	22 mm
Clamping range D, max.	22 mm
Clamping range D, min.	16 mm