

Technical data sheet

Counter-trough, metal, universal A2

Item number: 1197134



Metal counter-trough, for mounting on clamp clip. Can be used universally, irrespective of the rail.



A2 Stainless steel

2B Bright, treated

Master data

Item number	1197134
Type	2058FW M 12 A2
Description 1	Counter-trough
Manufacturer	OBO
Dimension	8-12mm
Material	Stainless steel
Surface	Bright, treated
Surface standard	
Smallest sales unit	100
Unit of quantity	Piece
Weight	0.567 kg
Weight unit	kg/100 pc.

Technical data sheet

Counter-trough, metal, universal A2

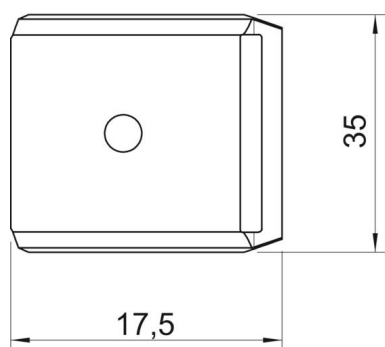
Item number: 1197134



Dimensions



Dimension B	17.5 mm
Dimension H	6.5 mm
Dimension L	35 mm



Technical data

Counter-trough/clip version	Counter sleeve
Suitable for max. cable diameter	12 mm
Halogen-free	yes
Clamping range D, max.	12 mm
Clamping range D, min.	8 mm