

Technical data sheet

Clamp clip, single, FT metal pressure trough

Item number: 1156004



Suitable for all C profile rails with slot width 16–17 mm.
Clip, bolt and pressure trough made of hot-dip galvanised steel.
Version with welding and/or locknuts for use under difficult circumstances and for shake protection on request.



St Steel

FT Hot-dip galvanised

Master data

| | |
|---------------------|--------------------------|
| Item number | 1156004 |
| Type | 2056 M 12 FT |
| Description 1 | Clamp clip |
| Description 2 | with metal pressure sump |
| Manufacturer | OBO |
| Dimension | 8-12mm |
| Material | Steel |
| Surface | Hot-dip galvanised |
| Surface standard | DIN EN ISO 1461 |
| Smallest sales unit | 100 |
| Unit of quantity | Piece |
| Weight | 3.2 kg |
| Weight unit | kg/100 pc. |

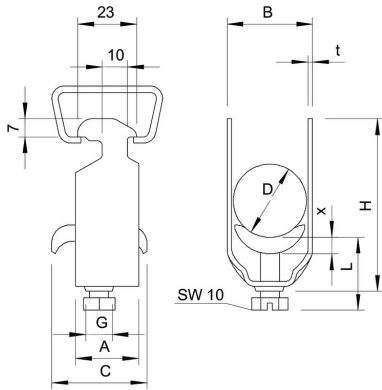
Technical data sheet

Clamp clip, single, FT metal pressure trough

Item number: 1156004



Dimensions



| | |
|------------------|---------|
| Dimension A | 23 mm |
| Dimension B | 16 mm |
| Dimension C | 30 mm |
| Dimension G (mm) | M6 |
| Dimension H | 40 mm |
| Dimension L | 32.5 mm |
| Dimension t | 1.5 mm |
| Dimension x | 3.5 mm |

Technical data

| | |
|--|----------------|
| Number of cables/pipes | 1 |
| for 1 cable H | 40 mm |
| for 1 cable L | 32.5 |
| for rail with slot width (with interval), max. | 17 mm |
| for rail with slot width (with interval), min. | 16 mm |
| Halogen-free | no |
| Max. Tightening torque | 3 Nm |
| With plastic trough | no |
| With metal trough | yes |
| Mounting type | Profile rail |
| Impact-resistant | no |
| Clamping range D, max. | 12 mm |
| Clamping range D, min. | 8 mm |
| Surface addition | hot galvanised |
| Material addition | Steel |
| With counter-trough | no |
| Material of trough | Steel |