

Technical data sheet

Clamp clip, triple, metal pressure trough

Item number: 1156284



Clamp clip with metal pressure trough, triple, 22–28 mm



St Steel

FT Hot-dip galvanised

Master data

Item number	1156284
Type	2056 M3 28 FT
Description 1	Clamp clip
Description 2	metal pressure sump, triple
Manufacturer	OBO
Dimension	22-28mm
Material	Steel
Surface	Hot-dip galvanised
Surface standard	DIN EN ISO 1461
Smallest sales unit	50
Unit of quantity	Piece
Weight	9.5 kg
Weight unit	kg/100 pc.

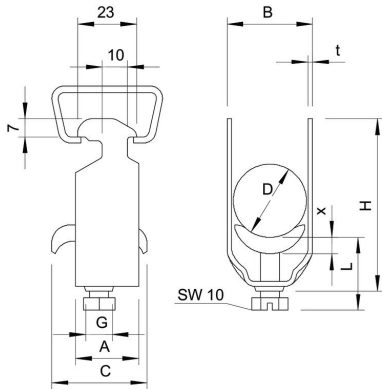
Technical data sheet

Clamp clip, triple, metal pressure trough

Item number: 1156284



Dimensions



Dimension A	23 mm
Dimension B	33 mm
Dimension C	34 mm
Dimension G (mm)	M6
Dimension H	121 mm
Dimension L	47 mm
Dimension t	2 mm
Dimension x	5 mm

Technical data

Number of cables/pipes	3
For pipe diameter, max.	25 mm
For pipe diameter, min.	25 mm
for rail with slot width (with interval), max.	17 mm
for rail with slot width (with interval), min.	16 mm
Halogen-free	no
Max. Tightening torque	3 Nm
With plastic trough	no
With metal trough	yes
Mounting type	Profile rail
Impact-resistant	no
Clamping range D, max.	28 mm
Clamping range D, min.	22 mm
Surface addition	hot galvanised
Material addition	Steel
With counter-trough	no
Material of trough	Steel