

# Technical data sheet

## Earth entry rod with separating piece and connector

Item number: 5430151



• With separating piece type 223 DIN and connector type 5002 DIN



- St** Steel
- FT** Hot-dip galvanised

### Master data

Item number	5430151
Type	204 KL-1500
Description 1	Earth entry rods
Manufacturer	OBO
Dimension	1500mm
Material	Steel
Surface	Hot-dip galvanised
Surface standard	DIN EN ISO 1461
Smallest sales unit	1
Unit of quantity	Piece
Weight	260.7 kg
Weight unit	kg/100 pc.

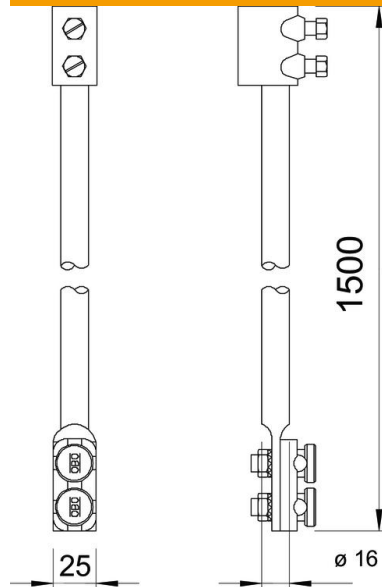
# Technical data sheet

## Earth entry rod with separating piece and connector

Item number: 5430151



### Dimensions



Length	1,500 mm
Dimension L	1,500 mm

### Technical data

With attaching holes	no
Nominal size Ø	16 mm
Fit	Rd 8-10 mm
Tapered	no