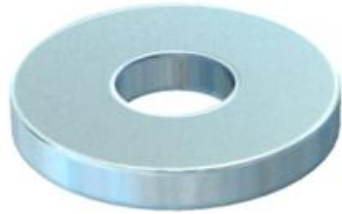


Technical data sheet

Spacer

Item number: 2205097



To increase the clamping height of pressure clips from 10 to 13 mm for large cable cross-sections.



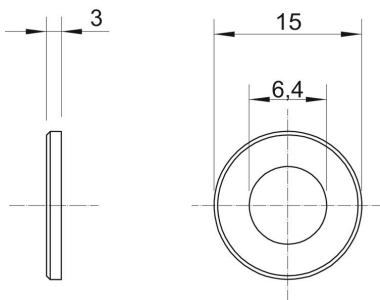
St Steel

G Electrogalvanized

Master data

Item number	2205097
Type	2033 D 15x3 G
Description 1	Spacer
Description 2	for cable clamp
Manufacturer	OBO
Dimension	Ø15mmx3mm
Material	Steel
Surface	Electrogalvanized
Surface standard	EN ISO 19598 / EN ISO 4042
Smallest sales unit	50
Unit of quantity	Piece
Weight	0.34 kg
Weight unit	kg/100 pc.

Dimensions



Dimension d	6.4 mm
Dimension d min.	15 mm
Dimension h	3 mm

Technical data

Faceted	no
Hardened	no
Halogen-free	no
Inner diameter	6.4 mm

Technical data sheet

Spacer

Item number: 2205097



Technical data

Material thickness	3 mm
--------------------	------