

Technical data sheet

Adhesive clip, pure white

Item number: 2228686



Adhesive clip, for clamping to the cable.



PP Polypropylene

Master data

| | |
|---------------------|----------------------|
| Item number | 2228686 |
| Type | 2025 18 RW |
| Description 1 | Self-retaining clip |
| Manufacturer | OBO |
| Dimension | 4-7mm, L18 |
| Colour | Pure white; RAL 9010 |
| Material | Polypropylene |
| Smallest sales unit | 100 |
| Unit of quantity | Piece |
| Weight | 0.072 kg |
| Weight unit | kg/100 pc. |

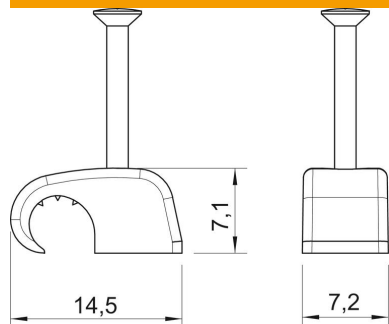
Technical data sheet

Adhesive clip, pure white

Item number: 2228686



Dimensions



| | |
|-------------|---------|
| Dimension B | 7.2 mm |
| Dimension H | 7.1 mm |
| Dimension L | 14.5 mm |

Technical data

| | |
|--------------------------|-----------------------------|
| Double clip | no |
| Shape | Round (for round conductor) |
| for cable diameter, max. | 7 mm |
| for cable diameter, min. | 4 mm |
| For nail diameter | 2,0 x 18 |
| Hardened | yes |
| Halogen-free | yes |
| With nail | yes |
| Nail length | 25 mm |
| Impact-resistant | yes |
| Pipe locking | no |