

Technical data sheet

ISO nail clip 2010, black

Item number: 2232235



ISO nail clip, short design



PP Polypropylene

Master data

Item number	2232235
Type	2010 25 SW
Description 1	ISO nail clip
Manufacturer	OBO
Dimension	10mm, L25
Colour	Jet black; RAL 9005
Material	Polypropylene
Smallest sales unit	100
Unit of quantity	Piece
Weight	0.123 kg
Weight unit	kg/100 pc.

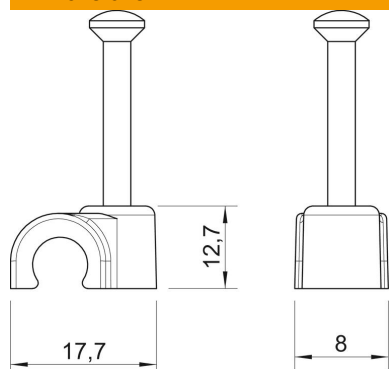
Technical data sheet

ISO nail clip 2010, black

Item number: 2232235



Dimensions



Dimension B	8 mm
Dimension H	12.7 mm
Dimension L	17.7 mm

Technical data

Double clip	no
Shape for cable diameter	Round (for round conductor)
For nail diameter	10 mm
Hardened	2,0x25
Halogen-free	yes
With nail	yes
Nail length	yes
Impact-resistant	25 mm
Transparent	no
Pipe locking	no