

# Technical data sheet

ISO nail clip 2010, pure white

Item number: 2225808



ISO nail clip, short design



**PP** Polypropylene

## Master data

Item number	2225808
Type	2010 25 RW
Description 1	ISO nail clip
Manufacturer	OBO
Dimension	10mm, L25
Colour	Pure white; RAL 9010
Material	Polypropylene
Smallest sales unit	100
Unit of quantity	Piece
Weight	0.123 kg
Weight unit	kg/100 pc.

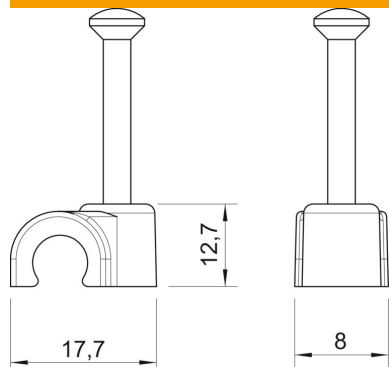
# Technical data sheet

ISO nail clip 2010, pure white

Item number: 2225808



## Dimensions



Dimension B	8 mm
Dimension H	12.7 mm
Dimension L	17.7 mm

## Technical data

Double clip	no
Shape for cable diameter	Round (for round conductor)
For nail diameter	2,0x25
Hardened	yes
Halogen-free	yes
With nail	yes
Nail length	25 mm
Impact-resistant	no
Pipe locking	no