

Technical data sheet

ISO nail clip 2004, white

Item number: 2225220



ISO nail clip, short design



PP Polypropylene

Master data

Item number	2225220
Type	2004 18 RW
Description 1	ISO nail clip
Manufacturer	OBO
Dimension	4mm, L18
Colour	Pure white; RAL 9010
Material	Polypropylene
Smallest sales unit	200
Unit of quantity	Piece
Weight	0.057 kg
Weight unit	kg/100 pc.

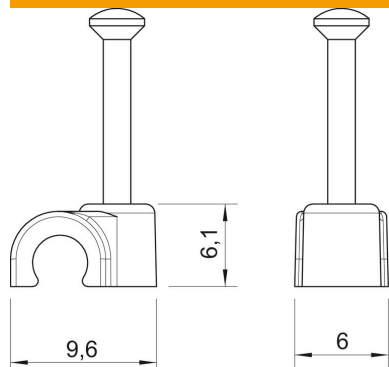
Technical data sheet

ISO nail clip 2004, white

Item number: 2225220



Dimensions



Dimension B	6 mm
Dimension H	6.1 mm
Dimension L	9.6 mm

Technical data

Double clip	no
Shape for cable diameter	Round (for round conductor)
For nail diameter	2,0x18
Hardened	yes
Halogen-free	yes
With nail	yes
Nail length	18 mm
Impact-resistant	no
Pipe locking	no