

Technical data sheet

Locknut, metric thread with cutting teeth

Item number: 2091733



Locknuts DIN 46319 with metric thread IEC 423.

* Prices according to DEL notation.



CuZn
37 Brass

N Nickel-plated

Master data

Item number	2091733
Type	169 MSS M63
Description 1	Locknut
Description 2	with cutting teeth
Manufacturer	OBO
Dimension	M63x1,5
Material	Brass
Surface	Nickel-plated
Surface standard	
Smallest sales unit	25
Unit of quantity	Piece
Weight	5.859 kg
Weight unit	kg/100 pc.

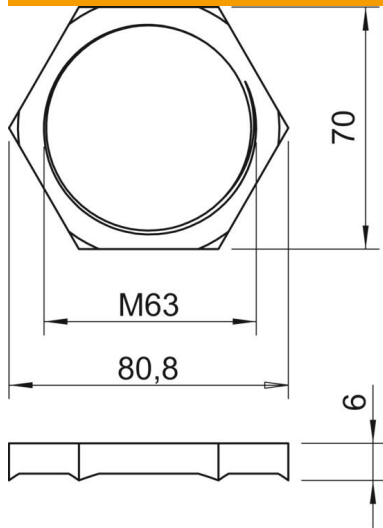
Technical data sheet

Locknut, metric thread with cutting teeth

Item number: 2091733



Dimensions



Dimension E	80.8 mm
Dimension L	6 mm

Technical data

Thread	M63_x_1,5
Thread type	Metric
Nominal thread size metric/PG	63
Fibre-glass reinforced	no
Halogen-free	no
Impact-resistant	no
WAF	70