

Technical data sheet

Reduction, metric thread

Item number: 2089599



Reduction (Part H) in accordance with DIN 46320, with metric thread to DIN EN 60423 or ISO 68.

* Prices according to DEL notation.



CuZn
37 Brass

N Nickel-plated

Master data

| | |
|---------------------|-----------------|
| Item number | 2089599 |
| Type | 167 R MS M40-32 |
| Description 1 | Reduction |
| Manufacturer | OBO |
| Dimension | M40-M32 |
| Material | Brass |
| Surface | Nickel-plated |
| Surface standard | |
| Smallest sales unit | 25 |
| Unit of quantity | Piece |
| Weight | 6.84 kg |
| Weight unit | kg/100 pc. |

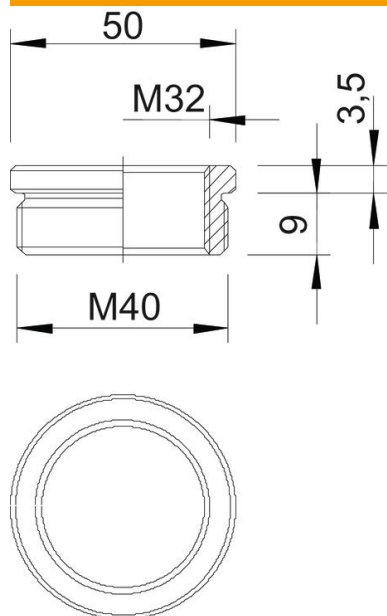
Technical data sheet

Reduction, metric thread

Item number: 2089599



Dimensions



| | |
|--------------|--------|
| Dimension D | 50 mm |
| Dimension L1 | 9 mm |
| Dimension L2 | 3.5 mm |

Technical data

| | |
|------------------------------------|--------|
| explosion-proof | no |
| Thread type: External thread | Metric |
| Thread type: Internal thread | Metric |
| Thread length | 9 mm |
| Thread dimension, metric, external | 40 |
| Thread dimension, metric, internal | 32 |
| Nickel-plated | yes |