

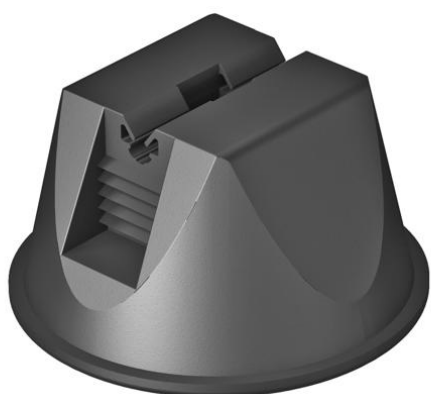
Technical data sheet

Roof conductor holder for flat roofs, without base

Item number: 5218683



- Without bottom
- With double conductor holder
- Filling weight 1 kg (frost-resistant concrete)
- Sleeve from polyethylene, black



PE Polyethylene

Master data

Item number	5218683
Type	165 OBG-8
Description 1	Roof conductor holder
Manufacturer	OBO
Dimension	8mm
Material	Polyethylene
Smallest sales unit	12
Unit of quantity	Piece
Weight	100 kg
Weight unit	kg/100 pc.

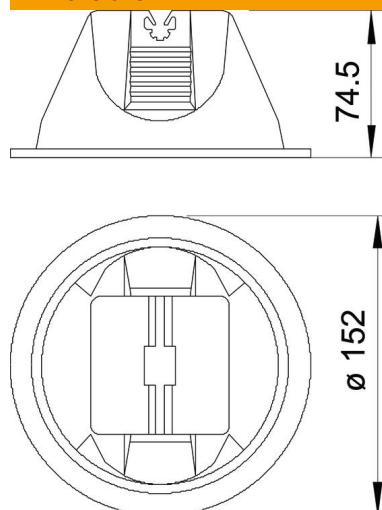
Technical data sheet

Roof conductor holder for flat roofs, without base

Item number: 5218683



Dimensions



Length 152 mm

Technical data

Application	Flat roof
Conductor fastening type	With clip
Conductor diameter, max.	8
Conductor diameter, min.	8
Mounting type	Miscellaneous
Fit	Rd 8 mm
Material of the holder	Plastic
Material of the support	Concrete