

Technical data sheet

Adapter expansion PG - M

Item number: 2088295



Adapter for converting a Pg threaded drill hole to a larger metric threaded drill hole.



CE M Pg

CuZn
37 Brass

N Nickel-plated

Master data

Item number	2088295
Type	165 ADA PG16-M25
Description 1	Adapter
Description 2	PG - M
Manufacturer	OBO
Dimension	PG16-M25
Material	Brass
Surface	Nickel-plated
Surface standard	
Smallest sales unit	20
Unit of quantity	Piece
Weight	3.32 kg
Weight unit	kg/100 pc.

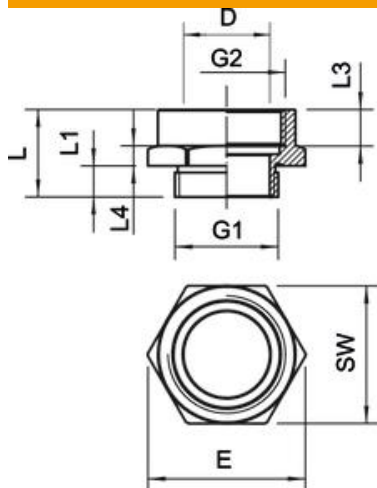
Technical data sheet

Adapter expansion PG - M

Item number: 2088295



Dimensions



Dimension D	18.5 mm
Dimension E	33.5 mm
Dimension L	18.5 mm
Dimension L1	6.6 mm
Dimension L3	9.5 mm
Dimension L4	4.3 mm

Technical data

explosion-proof	no
Thread type: External thread	PG
Thread type: Internal thread	Metric
Thread dimension, metric, internal	25
Thread dimension, PG, external	16
WAF	30
Nickel-plated	yes