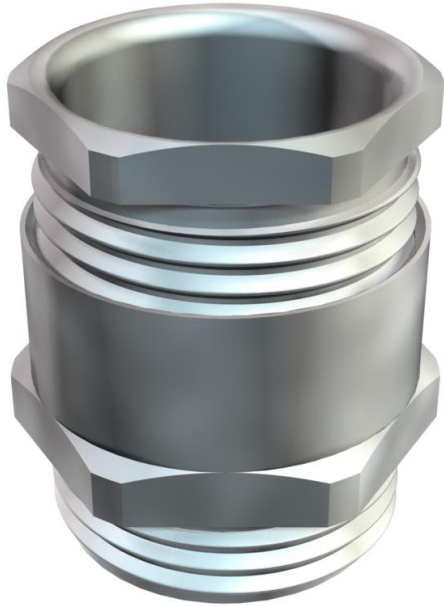


# Technical data sheet

Cone cable gland, PG thread, small cutting ring, nickel-plated

Item number: 2082365



Cable gland with hexagonal intermediate connector, shape C4, to DIN 46320 with Pg connection thread to DIN 40430.

Pressure rings made of electrogalvanised and transparently passivated steel.

NR/SBR sealing ring.

Protection rating: with connection thread sealing ring IP 65, without connection thread sealing ring IP 54.

With simple sealing ring, with small internal diameter.

\* Prices according to DEL notation.



**CuZn**  
37 Brass

**N** Nickel-plated

## Master data

Item number	2082365
Type	163 MS PG36
Description 1	Cable gland
Manufacturer	OBO
Dimension	PG36
Material	Brass
Surface	Nickel-plated
Surface standard	
Smallest sales unit	10
Unit of quantity	Piece
Weight	14.23 kg
Weight unit	kg/100 pc.

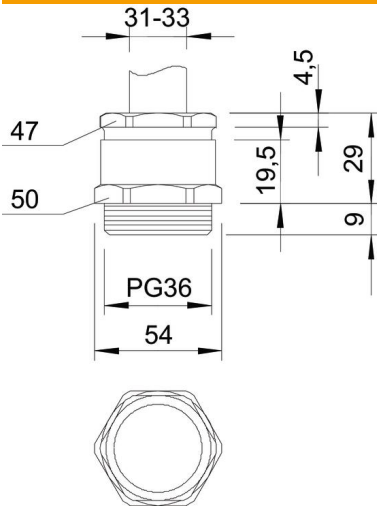
# Technical data sheet

Cone cable gland, PG thread, small cutting ring, nickel-plated

Item number: 2082365



## Dimensions



Dimension E	54 mm
Dimension L	29 mm
Dimension L max.	29 mm
Dimension L1	9 mm
Dimension L2	19.5 mm
Dimension L3	4.5 mm

## Technical data

Type of seal	Sealing ring
Bend protection	no
Sealing area D, max.	33 mm
Sealing area D, min.	31 mm
explosion-proof	no
Flat cable gland	no
For Ex zone	Without
Thread	Pg 36
Thread type	PG
Thread length	9 mm
Fibre-glass reinforced	no
Halogen-free	no
Sealing insert, multiple	no
With locknut	no
Impact-resistant	no
WAF 1	50 mm
WAF 2	47 mm
Protection rating	IP54
Strain relief option	no