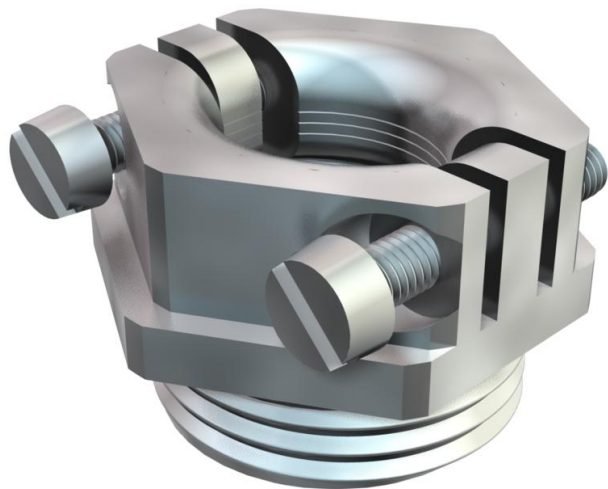


Technical data sheet

Pressure screw, PG strain relief

Item number: 2013096



Pressure screw with centrally acting transverse clip strain relief, rust-proof stainless steel screws.

With bend protection and strain relief.

* Prices according to DEL notation.

CE Pg

CuZn
37 Brass

N Nickel-plated

Master data

Item number	2013096
Type	157 MS PG 9
Description 1	Pressure screw
Description 2	with strain relief
Manufacturer	OBO
Dimension	PG9
Material	Brass
Surface	Nickel-plated
Surface standard	
Smallest sales unit	100
Unit of quantity	Piece
Weight	1.5 kg
Weight unit	kg/100 pc.

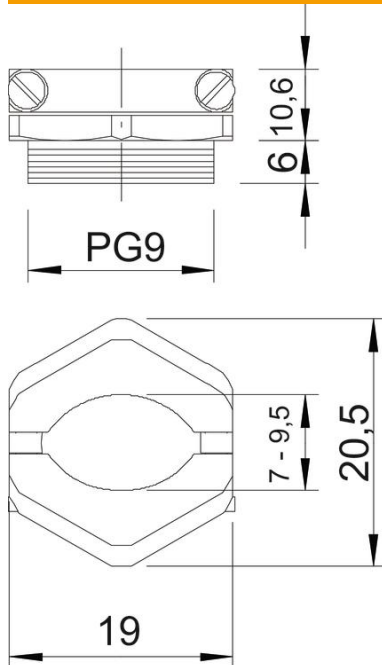
Technical data sheet

Pressure screw, PG strain relief

Item number: 2013096



Dimensions



Dimension D	6 mm
Dimension E	20.5 mm
Dimension L1	6 mm
Dimension L2	10.6 mm

Technical data

Thread type	PG
Thread length	6 mm
Nominal thread size	9
Thread increase	1.41 mm
Fibre-glass reinforced	no
Halogen-free	no
Impact-resistant	no
WAF	19
Strain relief option	yes
Clamping range, max.	9.5 mm
Clamping range, min.	7 mm