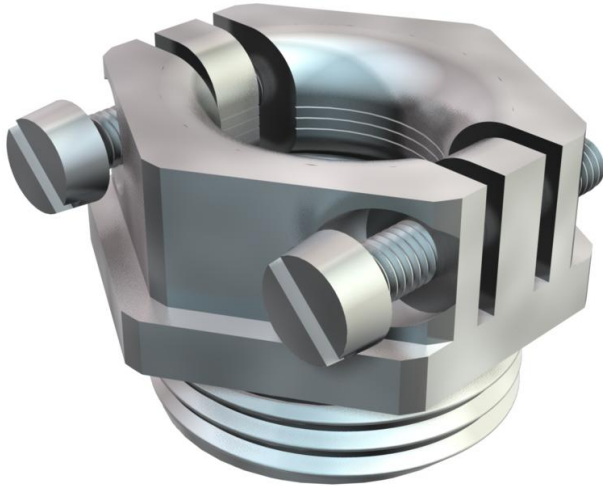


Technical data sheet

Pressure screw, PG strain relief

Item number: 2013061



Pressure screw with centrally acting transverse clip strain relief, rust-proof stainless steel screws.

With bend protection and strain relief.

* Prices according to DEL notation.



CuZn
37 Brass

N Nickel-plated

Master data

Item number	2013061
Type	157 MS PG 7
Description 1	Pressure screw
Description 2	with strain relief
Manufacturer	OBO
Dimension	PG7
Material	Brass
Surface	Nickel-plated
Surface standard	
Smallest sales unit	100
Unit of quantity	Piece
Weight	1.224 kg
Weight unit	kg/100 pc.

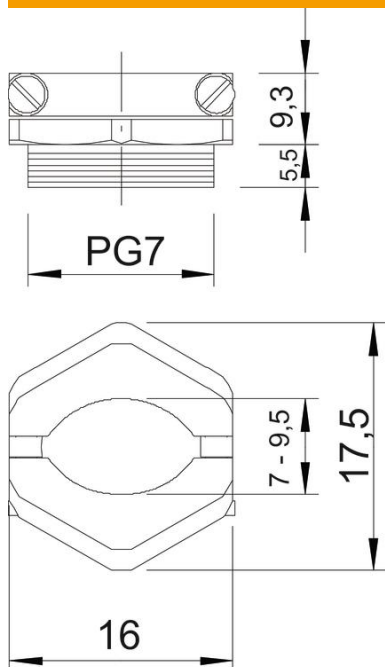
Technical data sheet

Pressure screw, PG strain relief

Item number: 2013061



Dimensions



Dimension D	5 mm
Dimension E	17.5 mm
Dimension L1	5.5 mm
Dimension L2	9.3 mm

Technical data

Thread type	PG
Thread length	5.5 mm
Nominal thread size	7
Thread increase	1.27 mm
Fibre-glass reinforced	no
Halogen-free	no
Impact-resistant	no
WAF	16
Strain relief option	yes
Clamping range, max.	7.5 mm
Clamping range, min.	6 mm