

Technical data sheet

Pipe end cap, splittable, PG, light grey

Item number: 2044542



Separable pipe end cap to slot onto PG electrical installation pipes.

The separable pipe end cap can be used for repairs on existing installations according to regulations. It is not necessary to disconnect the cables, allowing quick mounting.



PE Polyethylene

Master data

Item number	2044542
Type	129 TB PG42
Description 1	Pipe end sleeve, separable
Description 2	PG
Manufacturer	OBO
Dimension	PG42
Colour	Light grey; RAL 7035
Material	Polyethylene
Smallest sales unit	30
Unit of quantity	Piece
Weight	0.98 kg
Weight unit	kg/100 pc.

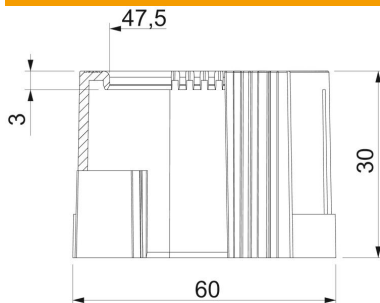
Technical data sheet

Pipe end cap, splittable, PG, light grey

Item number: 2044542



Dimensions



Dimension D1	60 mm
Dimension D2	47.5 mm
Dimension L1	30 mm
Dimension L2	3 mm

Technical data

Version for for pipe diameter	Connector
Size	54 mm
Brushed surface	PG42
Polished surface	no
	no