

Technical data sheet

Locknut, PG thread, light grey

Item number: 2048167



Locknut DIN 46320, with PG thread DIN 40430.



PA Polyamide

Master data

Item number	2048167
Type	116 VDE PG16 PA
Description 1	Locknut
Manufacturer	OBO
Dimension	PG16
Colour	Light grey; RAL 7035
Material	Polyamide
Smallest sales unit	100
Unit of quantity	Piece
Weight	0.325 kg
Weight unit	kg/100 pc.

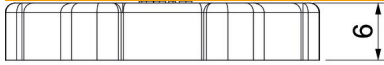
Technical data sheet

Locknut, PG thread, light grey

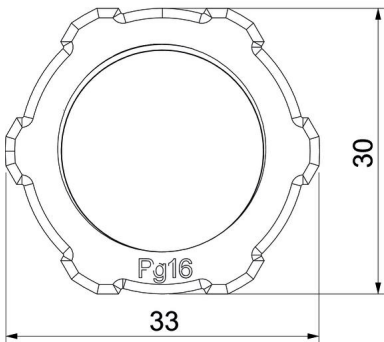
Item number: 2048167



Dimensions



Dimension E	33 mm
Dimension L	6 mm



Technical data

Thread	Pg_16
Thread type	PG
Nominal thread size metric/PG	16
Fibre-glass reinforced	no
Halogen-free	yes
Impact-resistant	no
WAF	30