

# Technical data sheet

Locknut, PG thread, light grey

Item number: 2048116



Locknut DIN 46320, with PG thread DIN 40430.



**PA** Polyamide

## Master data

Item number	2048116
Type	116 VDE PG11 PA
Description 1	Locknut
Manufacturer	OBO
Dimension	PG11
Colour	Light grey; RAL 7035
Material	Polyamide
Smallest sales unit	100
Unit of quantity	Piece
Weight	0.184 kg
Weight unit	kg/100 pc.

# Technical data sheet

Locknut, PG thread, light grey

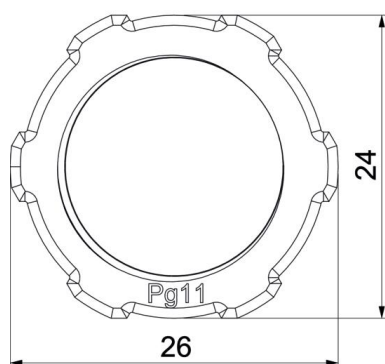
Item number: 2048116



## Dimensions



Dimension E	26 mm
Dimension L	5 mm



## Technical data

Thread	Pg_11
Thread type	PG
Nominal thread size metric/PG	11
Fibre-glass reinforced	no
Halogen-free	yes
Impact-resistant	no
WAF	24