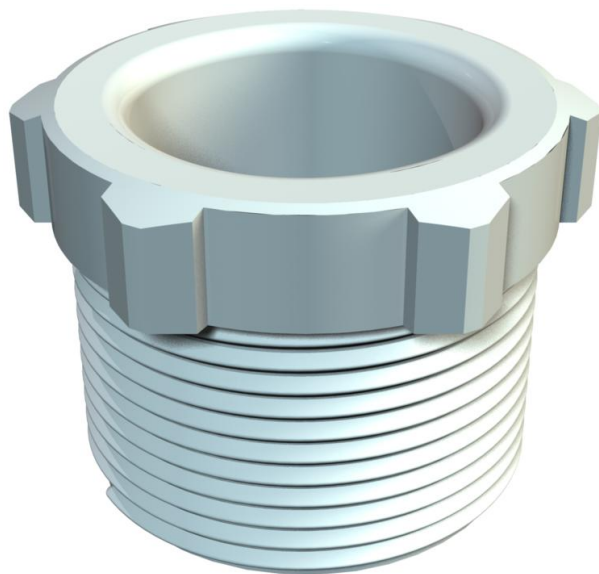


Technical data sheet

Pressure screw, PG thread, fibre-glass reinforced

Item number: 2025647



Pressure screw, Part 1, to DIN 46320, fibreglass reinforced.



PA Polyamide

Master data

| | |
|---------------------|----------------------|
| Item number | 2025647 |
| Type | 107 E PG36 PA |
| Description 1 | Pressure screw |
| Manufacturer | OBO |
| Dimension | PG36 |
| Colour | Light grey; RAL 7035 |
| Material | Polyamide |
| Smallest sales unit | 25 |
| Unit of quantity | Piece |
| Weight | 2.256 kg |
| Weight unit | kg/100 pc. |

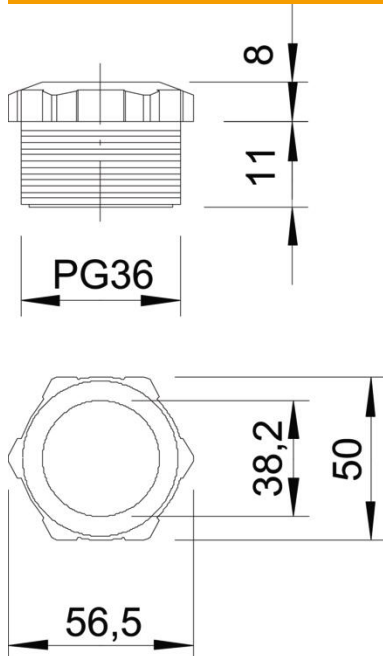
Technical data sheet

Pressure screw, PG thread, fibre-glass reinforced

Item number: 2025647



Dimensions



| | |
|--------------|---------|
| Dimension D | 38.2 mm |
| Dimension L1 | 17 mm |
| Dimension L2 | 8 mm |

Technical data

| | |
|------------------------|---------|
| Thread type | PG |
| Nominal thread size | 36 |
| Thread increase | 1.59 mm |
| Fibre-glass reinforced | no |
| Halogen-free | yes |
| Impact-resistant | yes |
| WAF | 50 |
| Strain relief option | no |