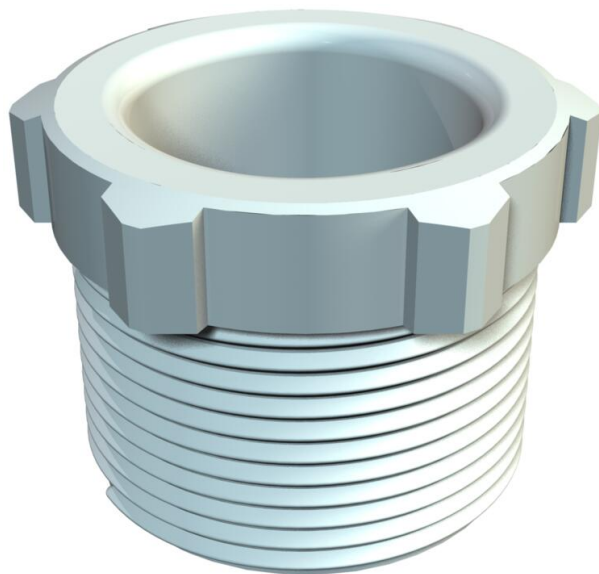


Technical data sheet

Pressure screw, PG thread, light grey

Item number: 2025116



Pressure screw (Part 1) to DIN 46320, with Pg thread DIN 40430.



PS Polystyrene

Master data

Item number	2025116
Type	107 E PG11 PS
Description 1	Pressure screw
Manufacturer	OBO
Dimension	PG11
Colour	Light grey; RAL 7035
Material	Polystyrene
Smallest sales unit	100
Unit of quantity	Piece
Weight	0.215 kg
Weight unit	kg/100 pc.

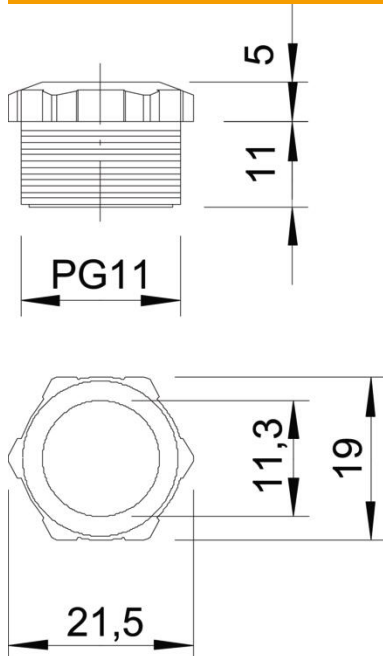
Technical data sheet

Pressure screw, PG thread, light grey

Item number: 2025116



Dimensions



Dimension D	11.3 mm
Dimension E	21.5 mm
Dimension L1	10 mm
Dimension L2	5 mm

Technical data

Thread type	PG
Nominal thread size	11
Thread increase	1.41 mm
Fibre-glass reinforced	no
Halogen-free	yes
Impact-resistant	yes
WAF	19
Strain relief option	no