

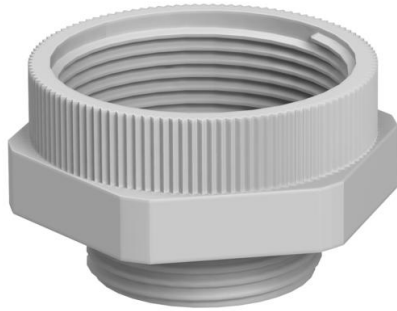
Technical data sheet

Intermediate expansion connector, metric thread

Item number: 2031454



Extension with metric internal and external thread for mounting plastic cable glands on enclosures. Protection class IP54 without additional connecting seal. Protection class up to IP68 possible with additional connecting seal, e.g. O-ring or flat sealing ring.

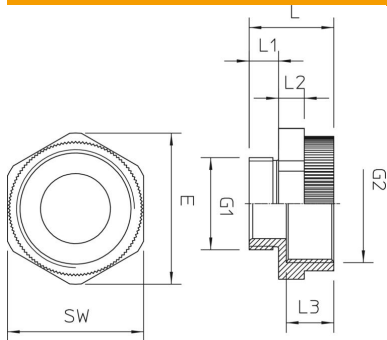


PA Polyamide

Master data

Item number	2031454
Type	107 E M 32-40 PA
Description 1	Extension
Description 2	M - M
Manufacturer	OBO
Dimension	M32-M40
Colour	Light grey; RAL 7035
Material	Polyamide
Smallest sales unit	25
Unit of quantity	Piece
Weight	1.3 kg
Weight unit	kg/100 pc.

Dimensions



Dimension D	26 mm
Dimension E	49.5 mm
Dimension G1 (mm)	32
Dimension G2 (mm)	40
Dimension L	25 mm
Dimension L1	10 mm
Dimension L2	7 mm
Dimension L3	12.5 mm

Technical data sheet

Intermediate expansion connector, metric thread

Item number: 2031454



Technical data

explosion-proof	no
Thread type: External thread	Metric
Thread type: Internal thread	Metric
Thread dimension, metric, external	32
Thread dimension, metric, internal	40
WAF	45
Nickel-plated	no