

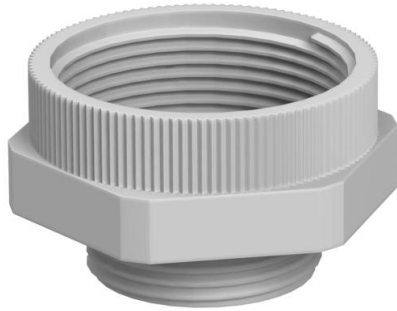
Technical data sheet

Intermediate expansion connector, metric thread

Item number: 2031451



Extension with metric internal and external thread for mounting plastic cable glands on enclosures. Protection class IP54 without additional connecting seal. Protection class up to IP68 possible with additional connecting seal, e.g. O-ring or flat sealing ring.

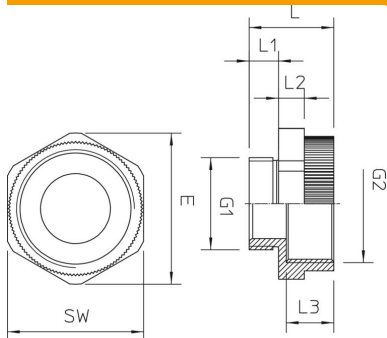


PA Polyamide

Master data

| | |
|---------------------|----------------------|
| Item number | 2031451 |
| Type | 107 E M 16-20 PA |
| Description 1 | Extension |
| Description 2 | M - M |
| Manufacturer | OBO |
| Dimension | M16-M20 |
| Colour | Light grey; RAL 7035 |
| Material | Polyamide |
| Smallest sales unit | 50 |
| Unit of quantity | Piece |
| Weight | 0.38 kg |
| Weight unit | kg/100 pc. |

Dimensions



| | |
|-------------------|---------|
| Dimension D | 11 mm |
| Dimension E | 26.5 mm |
| Dimension G1 (mm) | 16 |
| Dimension G2 (mm) | 20 |
| Dimension L | 20.5 mm |
| Dimension L1 | 8 mm |
| Dimension L2 | 5 mm |
| Dimension L3 | 10.5 mm |

Technical data sheet

Intermediate expansion connector, metric thread

Item number: 2031451



Technical data

| | |
|------------------------------------|--------|
| explosion-proof | no |
| Thread type: External thread | Metric |
| Thread type: Internal thread | Metric |
| Thread dimension, metric, external | 16 |
| Thread dimension, metric, internal | 20 |
| WAF | 24 |
| Nickel-plated | no |