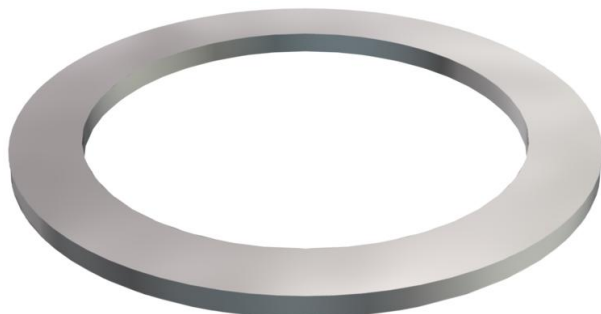


Technical data sheet

Pressure ring, PG thread

Item number: 2027097



Pressure ring, Part 7, to DIN 46320, suitable for plastic and brass glands to DIN 46320.

CE Pg

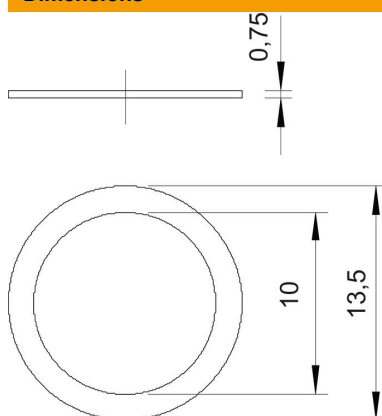
St Steel

GTP Electrogalvanized, transparently passivated

Master data

Item number	2027097
Type	107 D PG9 GTP
Description 1	Pressure ring
Manufacturer	OBO
Dimension	PG9
Material	Steel
Surface	Electrogalvanized, transparently passivated
Surface standard	
Smallest sales unit	100
Unit of quantity	Piece
Weight	0.032 kg
Weight unit	kg/100 pc.

Dimensions



Dimension D1	13.5 mm
Dimension D2	10 mm

Technical data sheet

Pressure ring, PG thread

Item number: 2027097



Technical data

Version for	Miscellaneous
Screw for PG thread dimension	9
Inner diameter	10 mm