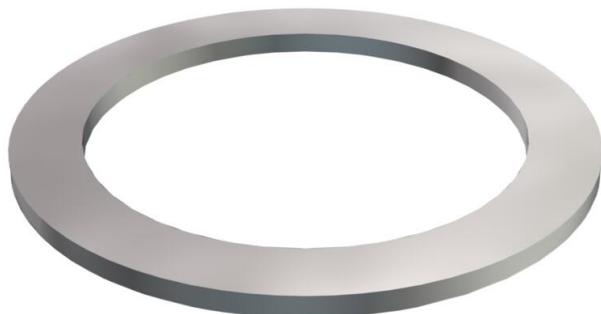


Technical data sheet

Pressure ring 107

Item number: 2027291



Pressure ring, Part 7, to DIN 46320, suitable for plastic and brass glands to DIN 46320.

CE Pg

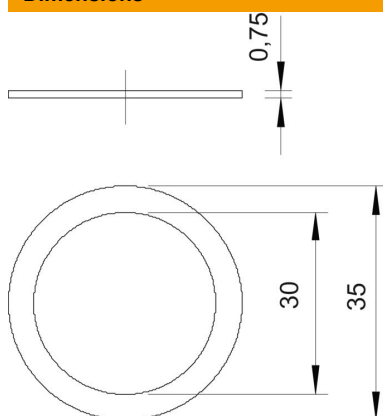
St Steel

GTP Electrogalvanized, transparently passivated

Master data

Item number	2027291
Type	107 D PG29 GTP
Description 1	Pressure ring
Manufacturer	OBO
Dimension	PG29
Material	Steel
Surface	Electrogalvanized, transparently passivated
Surface standard	
Smallest sales unit	25
Unit of quantity	Piece
Weight	0.14 kg
Weight unit	kg/100 pc.

Dimensions



Dimension D1	35 mm
Dimension D2	30 mm

Technical data sheet

Pressure ring 107

Item number: 2027291



Technical data

Version for	Miscellaneous
Screw for PG thread dimension	29
Inner diameter	30 mm