

Technical data sheet

Adapter PG-M

Item number: 2031466



Adapter for converting a Pg threaded drill hole to a metric threaded drill hole.



PA Polyamide

Master data

Item number	2031466
Type	107 ADA PG9-M12
Description 1	Adapter
Description 2	PG - M
Manufacturer	OBO
Dimension	PG9-M12
Colour	Light grey; RAL 7035
Material	Polyamide
Smallest sales unit	20
Unit of quantity	Piece
Weight	0.37 kg
Weight unit	kg/100 pc.

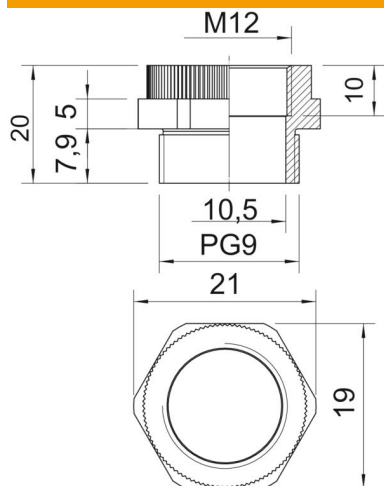
Technical data sheet

Adapter PG-M

Item number: 2031466



Dimensions



Dimension D	10.5 mm
Dimension E	21 mm
Dimension L	20 mm
Dimension L1	7.9 mm
Dimension L2	5 mm
Dimension L3	10 mm

Technical data

explosion-proof	no
Thread type: External thread	PG
Thread type: Internal thread	Metric
Thread dimension, metric, internal	12
Thread dimension, PG, external	9
WAF	19
Nickel-plated	no