

Technical data sheet

Tensioning wire clip G

Item number: 1404164



To fasten cables to tensioning cables. With bolt M4x13.



St Steel

G Electrogalvanized

Master data

| | |
|---------------------|----------------------------|
| Item number | 1404164 |
| Type | 1020 11-16 G |
| Description 1 | Tensioning wire clip |
| Description 2 | for cable 4-9 mm |
| Manufacturer | OBO |
| Dimension | 11-16mm |
| Material | Steel |
| Surface | Electrogalvanized |
| Surface standard | EN ISO 19598 / EN ISO 4042 |
| Smallest sales unit | 50 |
| Unit of quantity | Piece |
| Weight | 1.42 kg |
| Weight unit | kg/100 pc. |

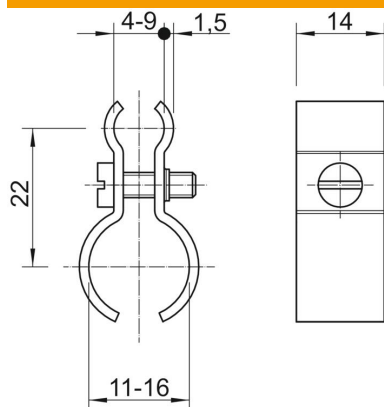
Technical data sheet

Tensioning wire clip G

Item number: 1404164



Dimensions



Dimension A | 22 mm

Technical data

| | |
|---|-----------------------|
| Number of cables/pipes | 1 |
| Version for for cable diameter, max. | Not insulated 9 mm |
| Bolt | M4x14 |