

# Technical data sheet

## Tensioning wire clip A4

Item number: 1404168



Tensioning wire clip for cable 4–9 mm 11–16 mm. With V4A bolt M4x14.



CE

**A4** Stainless steel

**2B** Bright, treated

### Master data

Item number	1404168
Type	1020 11-16 A4
Description 1	Tensioning wire clip
Description 2	for cable 4-9 mm
Manufacturer	OBO
Dimension	11-16mm
Material	Stainless steel
Surface	Bright, treated
Surface standard	
Smallest sales unit	50
Unit of quantity	Piece
Weight	1.42 kg
Weight unit	kg/100 pc.

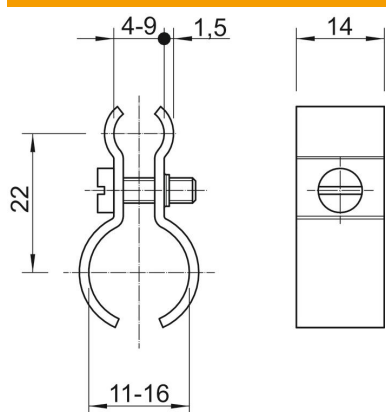
# Technical data sheet

## Tensioning wire clip A4

Item number: 1404168



### Dimensions



Dimension A	22 mm
-------------	-------

### Technical data

Version for	Not insulated
for cable diameter, max.	9 mm
Bolt	M4x14