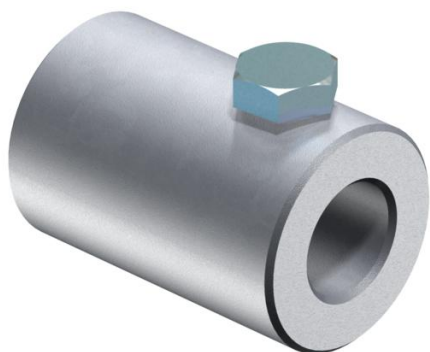


Technical data sheet

Wall connection

Item number: 5408689



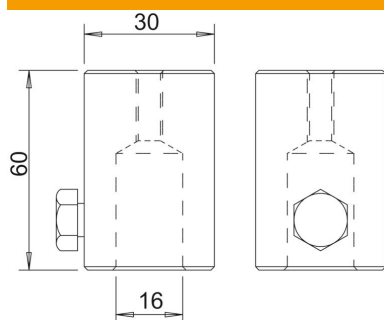
- For mounting insulating rods to structures or walls
- With M8 internal thread, e.g. for mounting the cable bracket type 177 (5207347) for loose conductor routing of round conductors
- Incl. M10 bolts

Alu Aluminium

Master data

Item number	5408689
Type	101 W-16
Description 1	Wall connection
Description 2	for 16 mm GFK rods
Manufacturer	OBO
Dimension	16mm
Material	Aluminium
Smallest sales unit	10
Unit of quantity	Piece
Weight	14.2 kg
Weight unit	kg/100 pc.

Dimensions



Length	60 mm
Dimension d min.	30 mm
Dimension d Ø	16 mm
Dimension L	60 mm

Technical data sheet

Wall connection

Item number: 5408689



Technical data

Connection	Round conductor
Type of accessory	Miscellaneous