

# Technical data sheet

## FangFix reducing sleeve

Item number: 5408101



Reduces the drill hole of the FangFix block from Ø 20 mm to Ø 16 mm. Suitable for the installation of GFK insulating rods of Ø 16 mm.



PA Polyamide

### Master data

Item number	5408101
Type	101 RH-16
Description 1	Reducing sleeve
Description 2	for FangFix system
Manufacturer	OBO
Dimension	16mm
Colour	Black
Material	Polyamide
Smallest sales unit	25
Unit of quantity	Piece
Weight	0.187 kg
Weight unit	kg/100 pc.

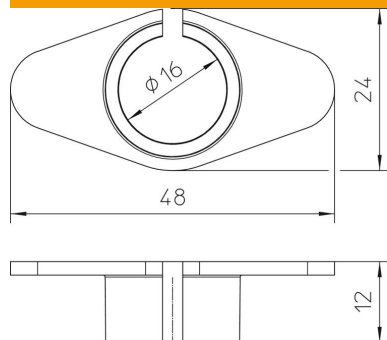
# Technical data sheet

## FangFix reducing sleeve

Item number: 5408101



### Dimensions



Length	48 mm
Width	24 mm
Height	12 mm

### Technical data

Fit	16 mm
-----	-------